



ZF817-24

Supplied By: TRENCH DRAIN SUPPLY

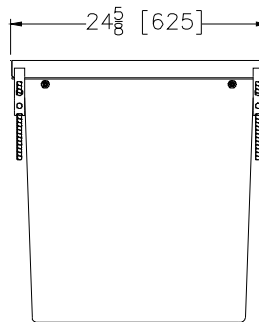
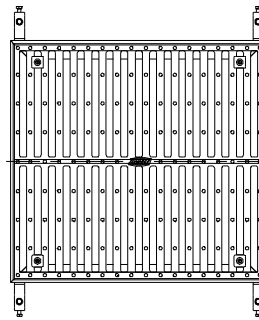
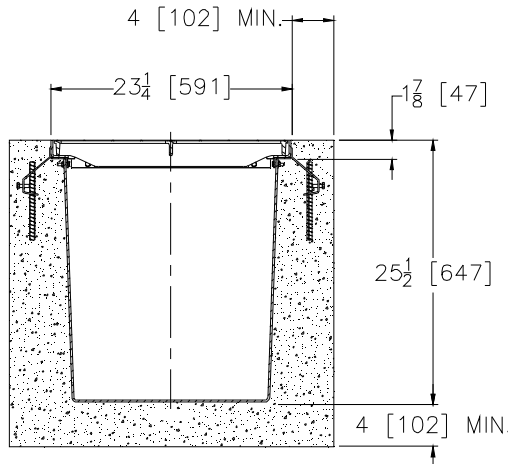
877-903-7246 www.trenchdrainsupply.com

23-1/4 [591] WIDE REVEAL X 24-5/8 [625] LONG REINFORCED POLYMER CATCH BASIN

TAG \_\_\_\_\_

Dimensional Data (inches and [mm]) are Subject to Manufacturing tolerances and Change Without Notice

SPECIFYING ENGINEER IS RESPONSIBLE FOR CONCRETE ENCASEMENT AND REINFORCING BASED UPON APPLICATION AND LOCAL CODES.



ENGINEERING SPECIFICATION Zurn ZF817-24

Catch Basin shall be 24 [610] wide reveal, 24-5/8 [625] long and 25-1/2 [648] deep. The body shall be made of 0% water absorbent Fiber Reinforced Polyester (FRP) fiberglass. Basin shall weigh less than 20 lbs. [9.1 kg] per linear foot. Shall be provided with standard DGC grate. Zurn 22-1/4 [565] wide reveal Ductile Iron Slotted Grate conforming to ASTM specification A536, Grade 80-55-06. Ductile Iron grate is rated class C per the DIN EN1433 top load classifications. Supplied in 24 [608] nominal lengths with 11/16 [17] wide slots, and 1-1/2 [38] bearing depth. Grate has an open area of 229.4 sq. in. [147,993 sq. mm]. The #7 gage thick Heavy Duty Frame Assembly conforms to ASTM specification A36. Frame shall mechanically lock into the concrete surround at a maximum spacing of 23 [584] with four rebar attachment brackets as standard to secure the basin in its final location. The frame is supplied with a powder coated finish. All welds must be performed by a certified welder per ASTM standard AWS D1.1. Frame and basin shall be produced in the U.S.A.

PREFIX OPTIONS (Check/specify appropriate options)

- \_\_\_ ZF 24 inch by 24 inch Fiber Reinforced Polyester (FRP)\*

SUFFIX OPTIONS (Check/specify appropriate options)

Outlet Adapters Add/Each

- \_\_\_ -E4/U4 4 [102] No-Hub End/Bottom Outlet
- \_\_\_ -E6/U6 6 [152] No-Hub End/Bottom Outlet
- \_\_\_ -E8/U8 8 [203] No-Hub End/Bottom Outlet

Grate Options (Load Classifications are per DIN EN1433)

- \_\_\_ -DGC Ductile Iron Slotted Grate - Class C \*
- \_\_\_ -DGF Ductile Iron Slotted Grate - Class F
- \_\_\_ -GDC Galvanized Ductile Slotted Grate - Class C
- \_\_\_ -GDF Galvanized Ductile Slotted Grate - Class F
- \_\_\_ -GG Fiberglass Grate - Class A

Miscellaneous Options

- \_\_\_ -FT Foul Air Trap
- \_\_\_ -IA Inlet Adapter (Z806)
- \_\_\_ -IA Inlet Adapter (Z812)
- \_\_\_ -Y Sediment Bucket

MADE in the U.S.A. (Load Classifications are per DIN EN1433)

- \_\_\_ -FG Galvanized Steel Slotted Grate - Class A
- \_\_\_ -FS Fabricated Stainless Steel Slotted Grate - Class A
- \_\_\_ -PG Galvanized Steel Perforated ADA Grate - Class A
- \_\_\_ -PS Perforated Stainless Steel ADA Grate - Class A
- \_\_\_ -RFG-USA Reinforced Galvanized Steel Slotted Grate - Class B
- \_\_\_ -RFS-USA Reinforced Stainless Steel Slotted Grate - Class B
- \_\_\_ -RPG-USA Reinforced Galvanized Perforated ADA Grate - Class B
- \_\_\_ -RPGR-USA Reinforced Galvanized Perforated Reverse Punch Anti-Slip ADA Grate - Class B
- \_\_\_ -RPS-USA Reinforced Stainless Steel Perforated ADA Grate - Class B
- \_\_\_ -RPSR-USA Reinforced Stainless Steel Perforated Reverse Punch Anti-Slip ADA Grate - Class B

REV. B DATE: 12/01/11 C.N. NO. 122491

DWG. NO. 307043 PRODUCT NO. ZF817-24

\*REGULARLY FURNISHED UNLESS OTHERWISE SPECIFIED

ZURN INDUSTRIES, LLC ♦ SPECIFICATION DRAINAGE OPERATION ♦ 1801 Pittsburgh Ave. ♦ Erie, PA 16514

Phone: 814/455-0921 ♦ Fax: 814/454-7929 ♦ World Wide Web: www.zurn.com

In Canada: ZURN INDUSTRIES LIMITED ♦ 3544 Nashua Drive ♦ Mississauga, Ontario L4V1L2 ♦ Phone: 905/405-8272 Fax: 905/405-1292